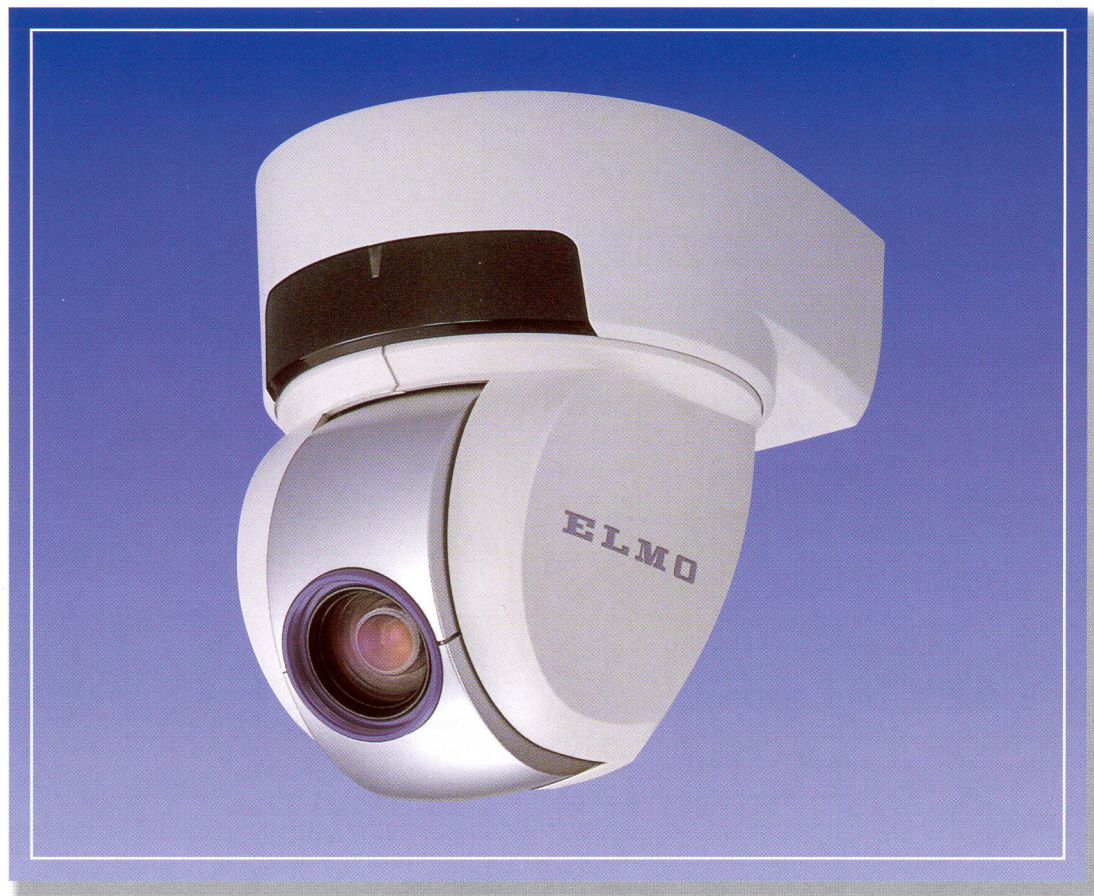


NEW

ELMO®

PTC-201C IP

Network Pan-Tilt-Zoom Camera



**Browser
Interface**

22x
optical zoom

300° pan

120° tilt

RS-485
connection

**2 Alarm Inputs/
6 Presets**

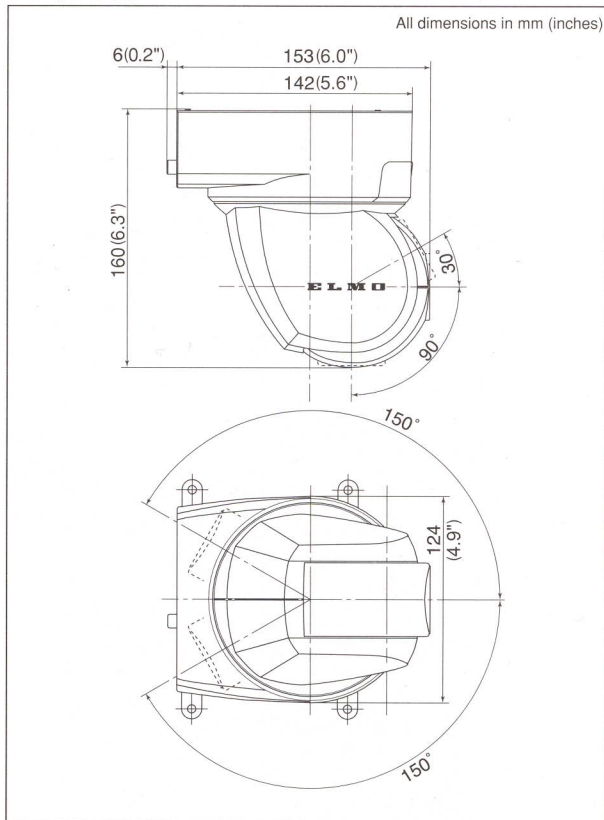
The Pan/Tilt/Zoom/Auto Focus full-control ceiling-mount type color camera with the latest electronics & optical technologies.

- 32 bit RISC Embedded processor
- Image size 640x480(VGA), 320x240(QVGA)
- Network addressable with up to 10 users
- JPEG baseline compliant compression format
- Full-Auto focus and manual focus capability

Network Pan-Tilt-Zoom Camera PTC-201C IP



PROFILE



SPECIFICATIONS

General	Power source	12V DC		
	Current consumption	1.5A		
	Outside dimensions	124mm(W) x 153mm(D) x 160mm(H) (4.9 x 6.0 x 6.3in.)		
	Weight / Mass	mainbody only:1,200g (2.6lb), with plates:1,500g (3.3lb)		
	Television system	NTSC compatible		
	Output terminal	Composite-video output	RCA pinjack / 75 ohm unbalanced	1
	Control terminal	RS-485	Terminal Block	1
	Power terminal	EIAJ RC-5320 type4		
	Camera	Lens	f=4.0-88.0 (22-times zoom) F1.6-3.8	
Zoom		22-times powered (with double speed function) optical zoom		
Field of view (Horizontal)		2.3°-47.5°		
Lens filter diameter		37mm (1 15/32 in.), pitch=0.75mm (1/34 in.)		
Focusing		Full-auto / Manual		
Image pick-up element		1/4" CCD		
Effective picture element		768(H) x 494(V)		
Total picture element		811(H) x 508(V) (approx. 410,000 pixels)		
Minimum illumination		2 lx		
Backlight control		ON / OFF		
Iris		Auto/Manual		
White balance		Auto/Push-set / Manual		
Color balance		Auto/Push-set / Manual		
AGC		Built-in		
AP gain control		Built-in		
Pan / Tilt		Pan range	Left 150° Right 150°	
	Tilt range	Up 30° Down 90°		
	Pan Tilt Speed	Auto / Manual (8 speeds)		
	Title setting	Provided (Camera / Preset selection)		
	Daisy chain connection	Max. 223 (PTC-200C / PTC-201C IP) cameras		
	Accessories included	IR Remote controller (w / batteries), AC adapter, BNC / RCA adapter plug, Ethernet cable, Fixing plate		
Other				

Note: Design and specifications are subject to change without prior notice.
Dimensions and weight are approximate.

ELMO® ELMO CO., LTD.

6-14, Meizen-cho, Mizuho-ku,
Nagoya, 467-8567 Japan
E-mail:foreign-div@elmo.co.jp

Additional technical information is available from any of the following subsidiary companies;

ELMO Mfg. Corp.

1478 Old Country Road,
Plainville, NY 11803-5034, U.S.A.
Tel. 516-501-1400 Fax. 516-501-0429
E-mail:elmo@elmousa.com
Web:http://www.elmousa.com

ELMO (Europe) G.m.b.H.

Neanderstr 18,
40233 Düsseldorf, Germany
Tel. 0211-376051-53 Fax.0211-376630
E-mail:elmo@elmo.eu.com
Web:http://www.elmo.de

ELMO Canada Mfg. Corp.

44 West Drive, Brampton,
Ontario, L6T 3T6, Canada
Tel. 905-453-7880 Fax.905-453-2391
E-mail:info@elmocanada.com
Web:http://www.elmocanada.com

ELMO and **ELMO** are registered trademarks of ELMO COMPANY,LIMITED.

Network

Physical interface	10Base-T / 100Base-TX Ethernet x 1
Compatible protocol	TCP / IP, ARP, UDP, ICMP, HTTP,FTP, telnet
Compatible browser	Internet Explorer 4.0 or newer, Netscape Navigator 6.0 or newer
Image compression format	JPEG
Display of moving image	Resolution 640 x 480, 320 x 240 Frame rate : Max. 30 frames / sec.(320 x 240)
Connection count during the display of moving image	Max. 10 clients
Display of static image	Resolution 640 x 480, 320 x 240
Remote control	Pan / Tilt, Focus, Iris, Preset, Home, Reset
Security	IP address filtering, BASIC authentication
CPU used for the system	333-MHz Pentium III or higher processor (500-MHz Pentium III or higher processor recommended)
RAM used for the system	Min. 128 MB (Min. 256 MB recommended)
Display and video card used for the system	800 x 600 pixels or larger (1024 x 768 pixels or larger recommended)



ELMO CO.,LTD.(Head Office and Factory)'s QMS/EMS has been registered to ISO 9001 & ISO 14001.

Distributed by